

FP21

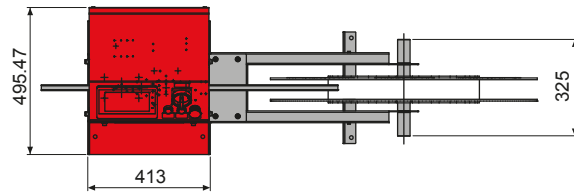
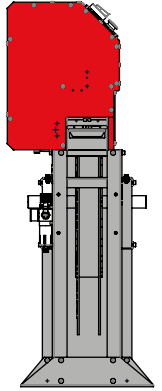
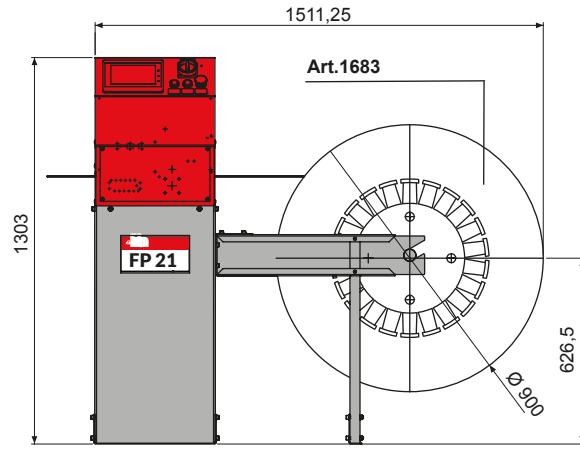
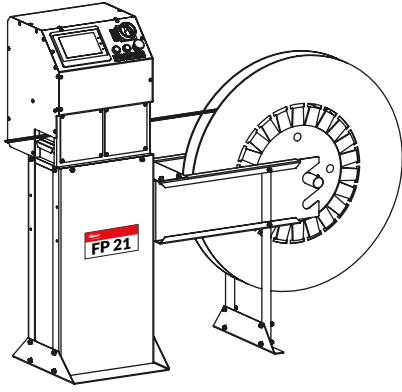
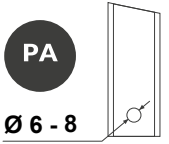
PUNCHING MACHINE FOR TILT AND TURN SYSTEMS

 Made in Italy

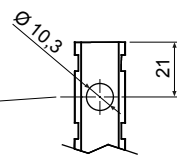
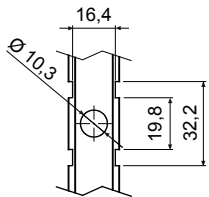
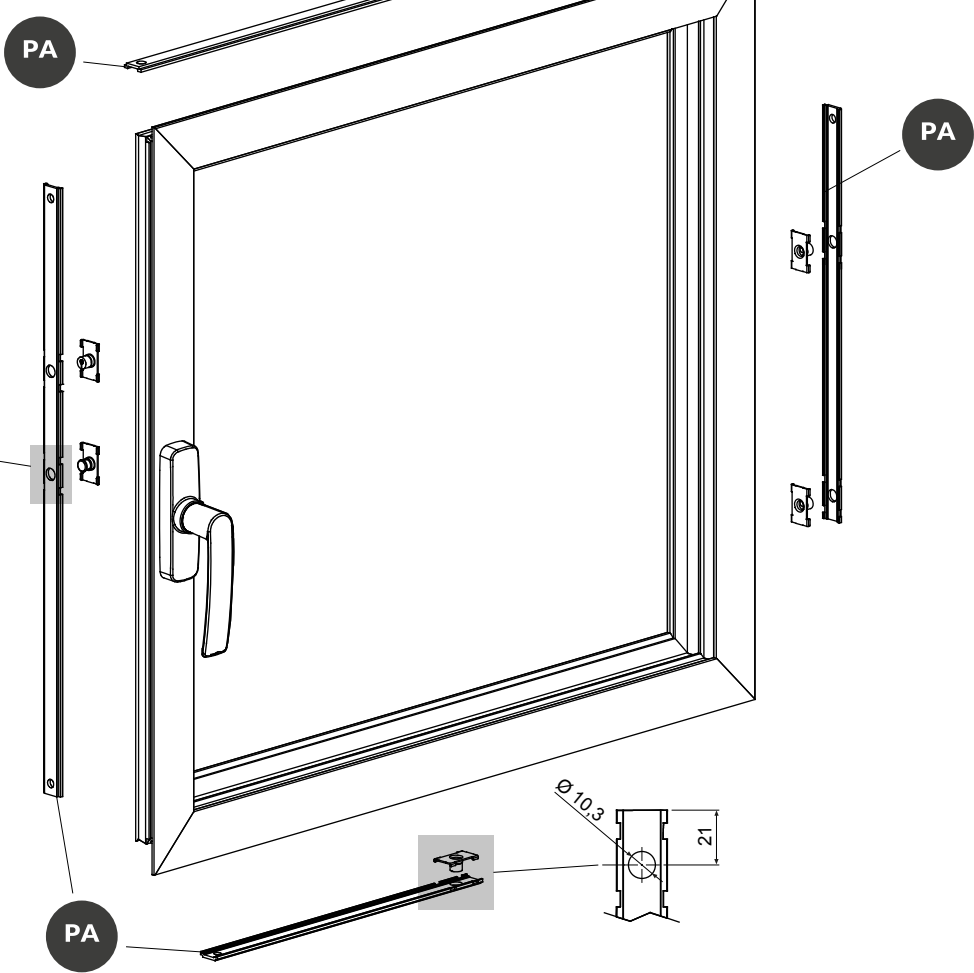
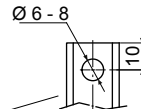
fapim[®]
Life in evolution

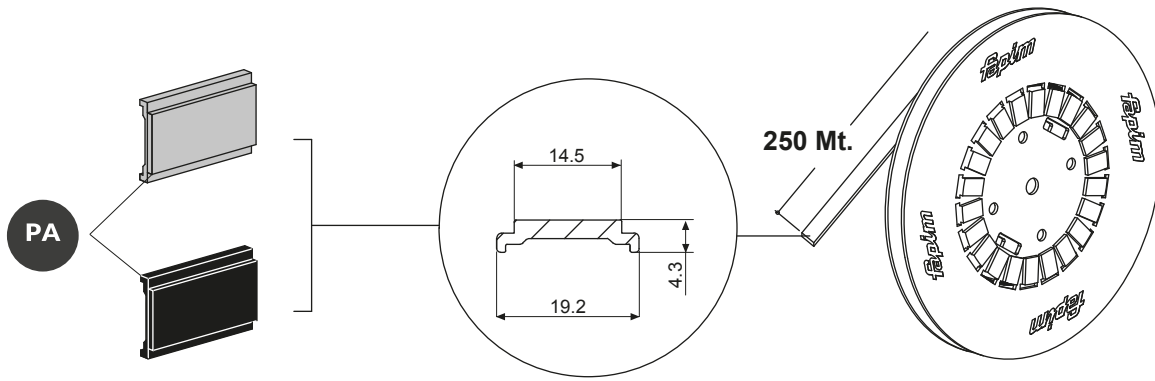
FP21

PUNCHING MACHINE FOR TILT AND TURN SYSTEMS



		Ø	
1689	 10x14.5 12x15 13.6x16 14x18 C.E.	1683	1





GALICUBE GALIPLUS 2	MAGICUBE	LIMITE SIDE-HUNG	 NOT HOLDING
LIMITE SIDE-HUNG	LIMITE SIDE-HUNG	LIMITE BOTTOM-HUNG	
OUTWARD OPENING	MANUAL MODE	SETTINGS	

Magicube

H:	1200.0 mm
HC:	600.0 mm
HB:	600.0 mm
W:	600.0 mm
Q.ty:	1

7	8	9
4	5	6
1	2	3
C	0	,
X		

NOT HOLDING

CONFIGURE

Magicube

						 HOLDING DIMENSIONS



Fapim S.p.A.
Via delle Cerbaie, 114
55011 Altopascio (LU) Italy
T +39 0583 2601 F+39 0583 25291
www.fapim.it info@fapim.it
Cod.Fisc. e Part.I.V.A. 02224030466

DOMATIC®

DOMATIC
info@domatic.it www.domatic.it



BENELUX

Fapim Benelux s.r.l.
Avenue Rue St. Roch , 17
7712 Herseaux Belgium
T +32 56 340548
T +32 56 341960
info-fapimbenelux@fapim.it



HISPANIA

Fapim Hispania s.L.
C/edison, esq. A. Ingeniero
Goicoechea 45600
Parcela, 74
Talavera De la Reina (Espana)
T +34 925 828357
F +34 925 841148
administración@fapimhispania.com
pedidos@fapimhispania.com



POLSKA

Fapim Polska sp. z o.o.
ul.Wilcza 1, Słupno
05-250 Radzymin
NIP : 536-16-29-437
T +48 227813797
F +48 227811022
Gsm +48609022972



RUSSIA

Fapim RU llc
Kaluzhskaya Region
Province Borovskiy, 99km.
main way "Ukraina", building 4A
T +7 48439 97207
info@fapimru.ru



ARGENTINA

Fapim Argentina S.A.
CUIT: 30-71206299-8
Calle Gral Alvear N° 411 - 1°
Piso of 1 (B1640EWC) Martinez
Pdo. de San Isidro
Buenos Aires - Argentina
T (+54) (11) 4897-0062
y Líneas Rotativas