



MAGICUBE 130

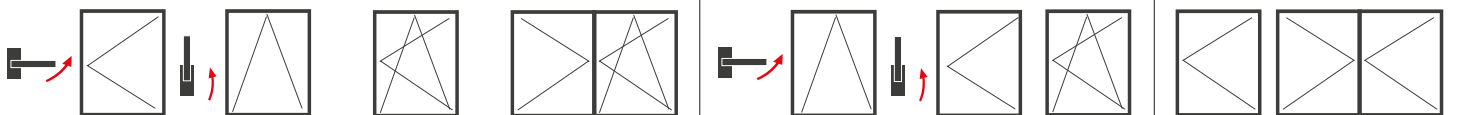
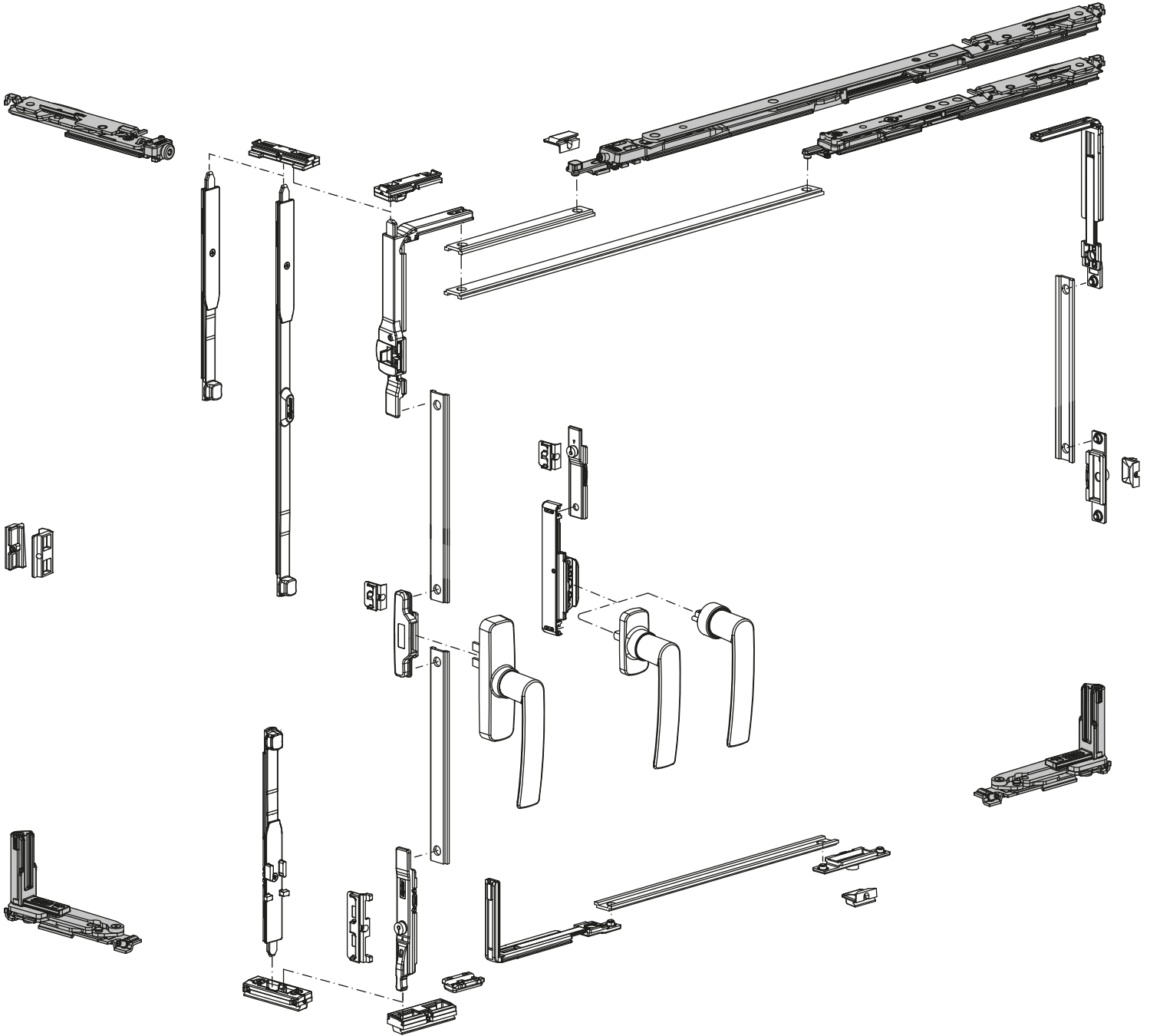
MECHANISMS FOR TILT-AND-TURN

 Made in Italy

fapim[®]
Life in evolution

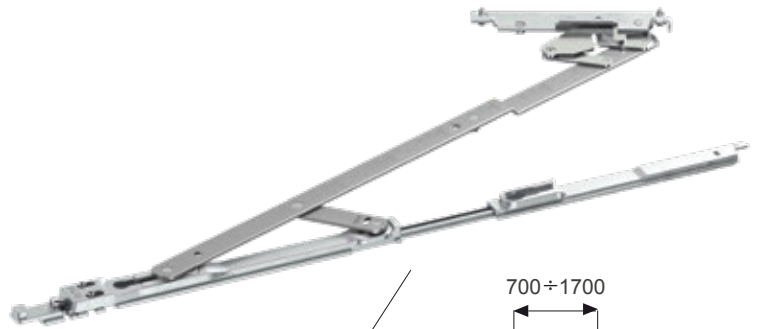
MAGICUBE 130

MECHANISMS FOR TILT-AND-TURN

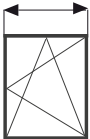


MAGICUBE 130

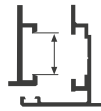
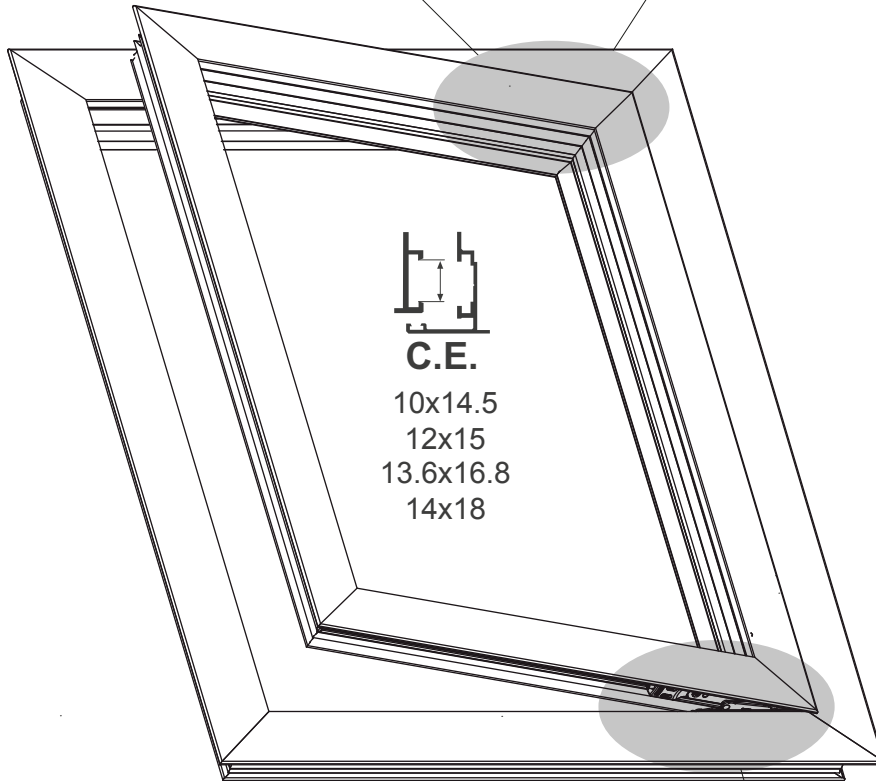
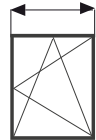
MECHANISMS FOR TILT-AND-TURN



422 ÷ 900



700 ÷ 1700



C.E.

10x14.5
12x15
13.6x16.8
14x18

RAL

GÜTEZEICHEN



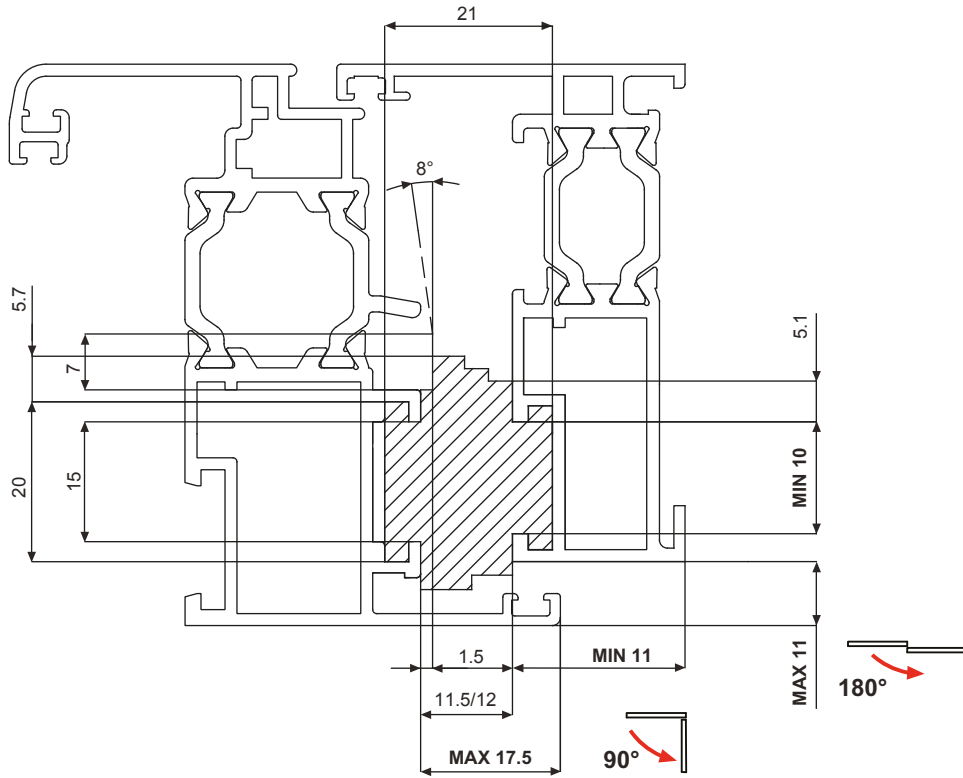
130 Kg

180°

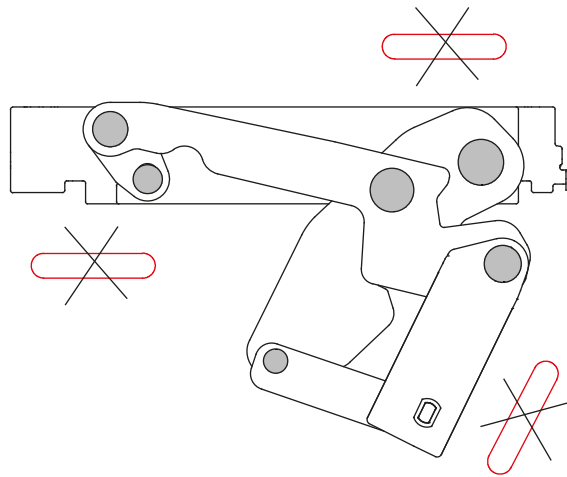


MAGICUBE 130

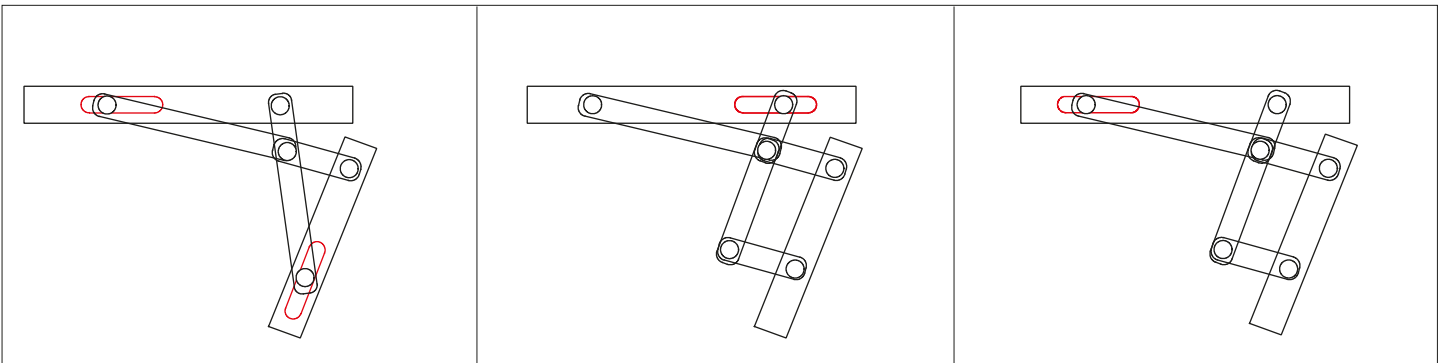
MECHANISMS FOR TILT-AND-TURN

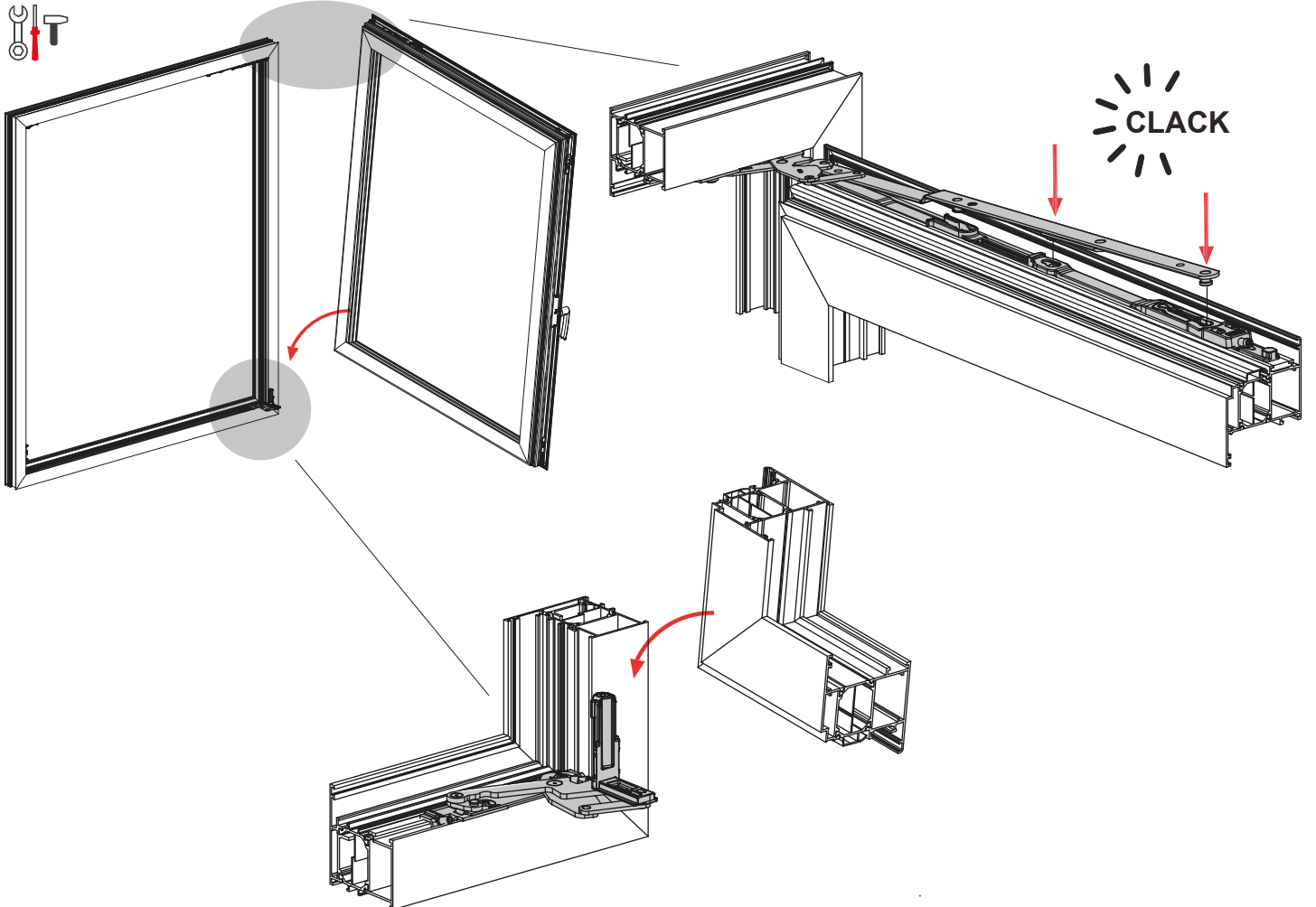
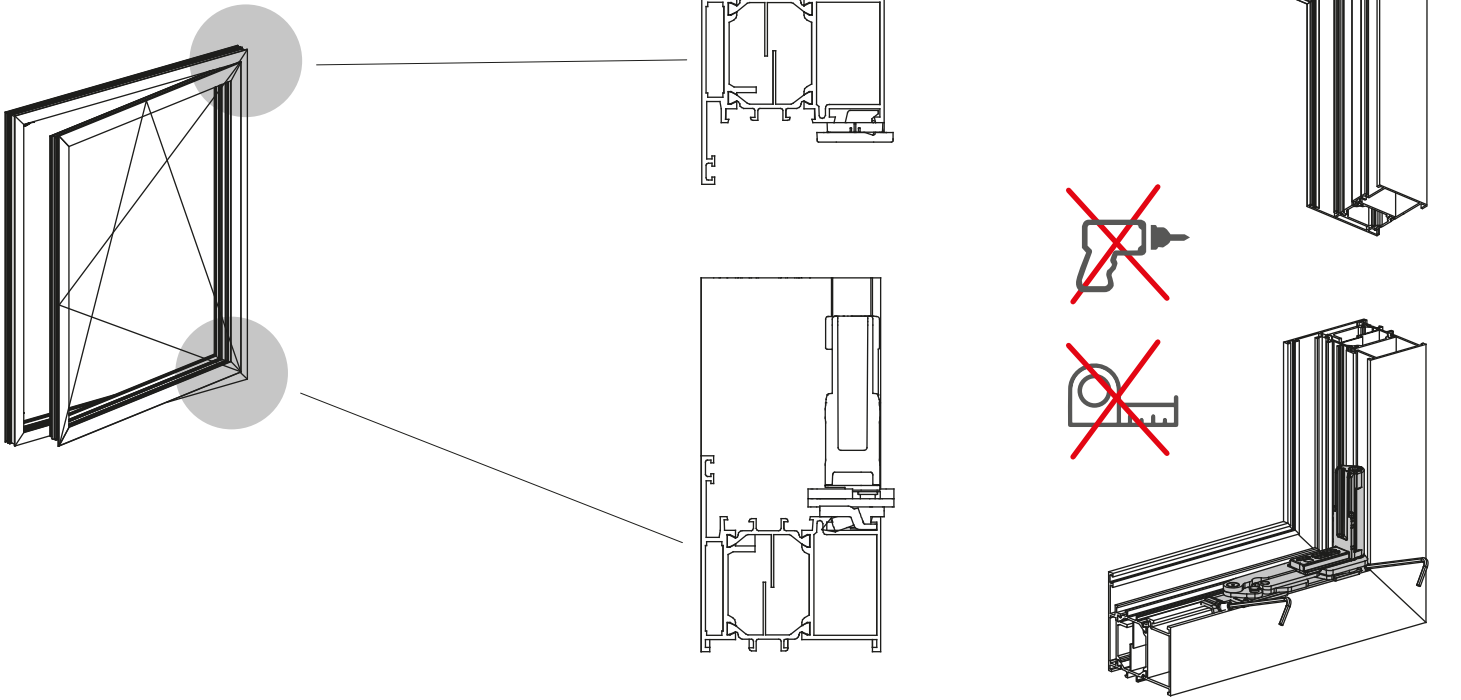


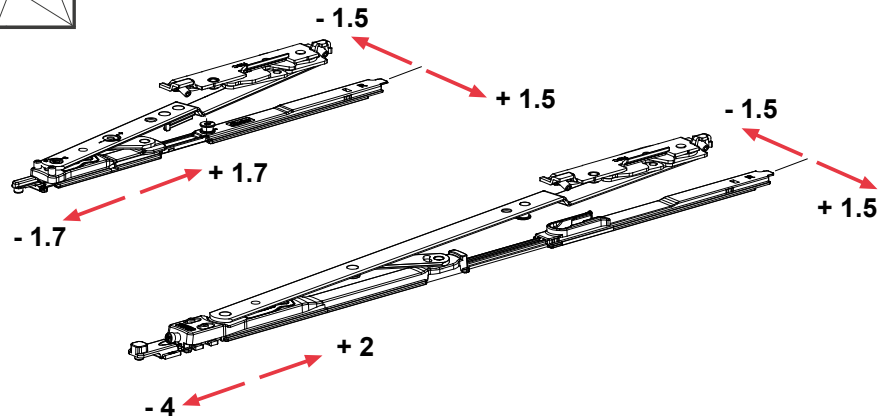
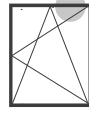
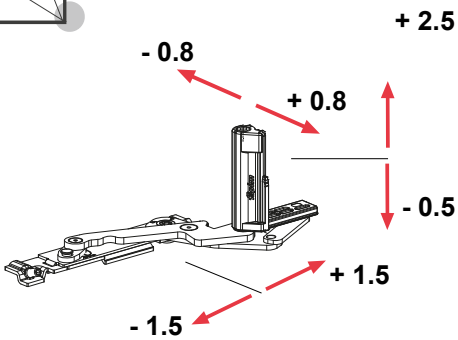
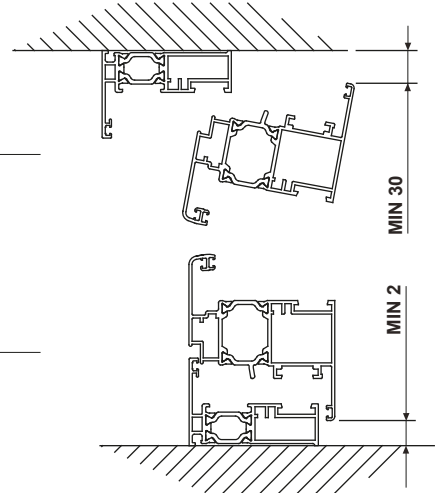
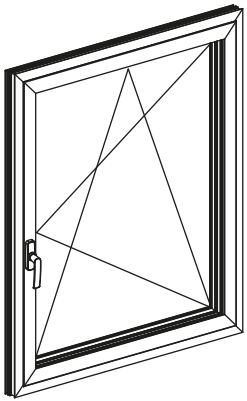
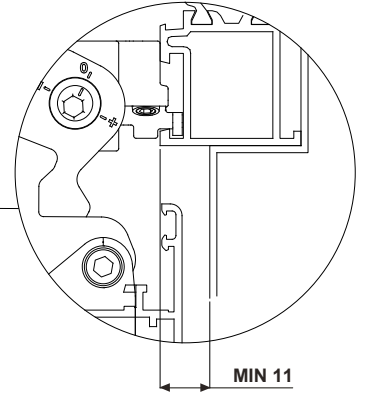
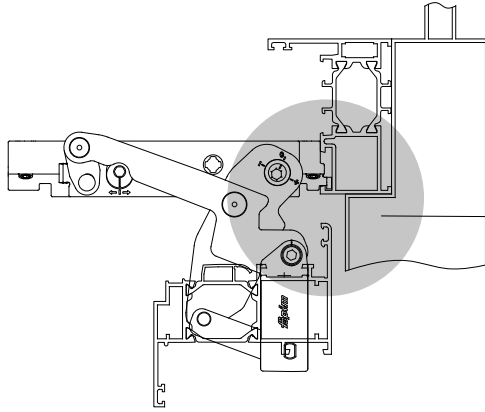
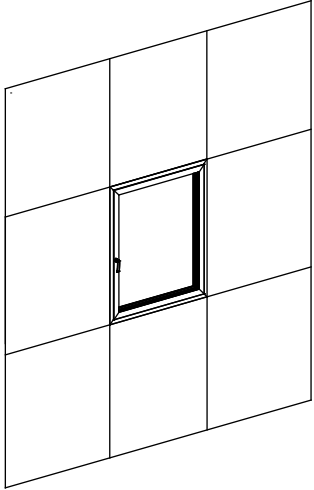
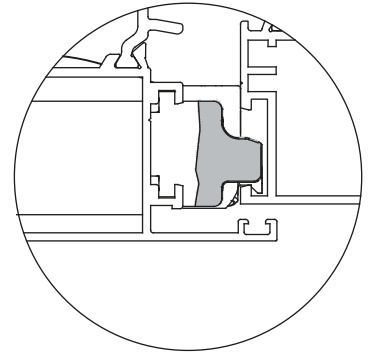
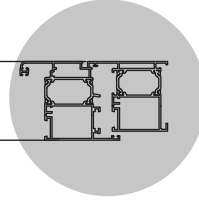
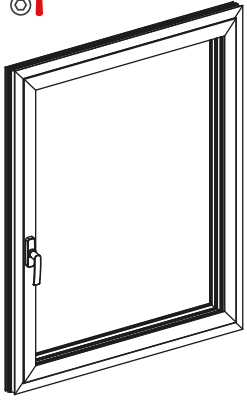
FAPIM SOLUTION



OTHER SOLUTIONS







MAGICUBE 130

MECHANISMS FOR TILT-AND-TURN



10x14.5
12x15
13.6x16.8
14x18



	<p>1210R</p> <p>1210L</p>	●		●	●			422 ÷ 900	10
	<p>1211R</p> <p>1211L</p>	●		●	●			700 ÷ 1700	10
	<p>1214R</p> <p>1214L</p>	●			●	●	●		10
	<p>1265AR</p> <p>1265AL</p>	●		●				422 ÷ 900	10
	<p>1265BR</p> <p>1265BL</p>	●		●				700 ÷ 1700	10

fapim[®]

Fapim S.p.A.
Via delle Cerbaie, 114
55011 Altopascio (LU) Italy
T +39 0583 2601 F+39 0583 25291
www.fapim.it info@fapim.it
Cod.Fisc. e Part.I.V.A. 02224030466

DOMATIC[®]

DOMATIC
info@domatic.it www.domatic.it

fapim

BENELUX

Fapim Benelux s.r.l.
Avenue Rue St. Roch , 17
7712 Herseaux Belgium
T +32 56 340548
T +32 56 341960
info-fapimbenelux@fapim.it

fapim

HISPANIA

Fapim Hispania s.L.
C/edison, esq. A. Ingeniero
Goicoechea 45600
Parcela, 74
Talavera De la Reina (Espana)
T +34 925 828357
F +34 925 841148
administración@fapimhispania.com
pedidos@fapimhispania.com

fapim

POLSKA

Fapim Polska sp. z o.o.
ul.Wilcza 1,Stupno
05-250 Radzymin
NIP : 536-16-29-437
T +48 227813797
F +48 227811022
Gsm +48609022972

fapim

RUSSIA

Fapim RU Ilc
Kaluzhskaya Region
Province Borovskiy, 99km.
main way "Ukraina", building 4A
T +7 48439 97207
info@fapimru.ru

fapim[®]

ARGENTINA

Fapim Argentina S.A.
CUIT: 30-71206299-8
Calle Gral Alvear N° 411 - 1°
Piso of 1 (B1640EWC) Martinez
Pdo. de San Isidro
Buenos Aires - Argentina
T (+54) (11) 4897-0062
y Líneas Rotativas