



# MAGICUBE 130

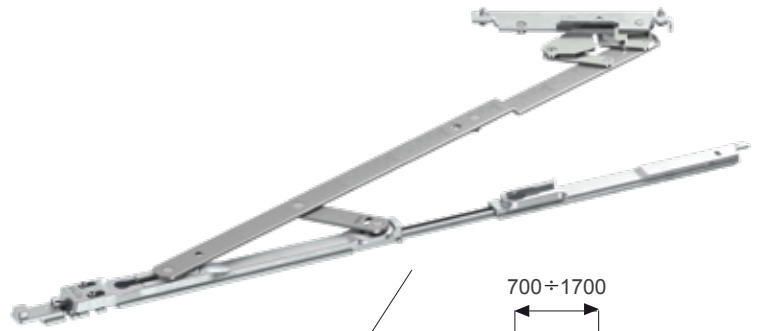
MECHANISMS FOR TILT-AND-TURN

 Made in Italy

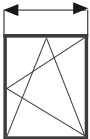
**fapim**<sup>®</sup>  
Life in evolution

# MAGICUBE 130

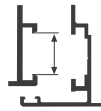
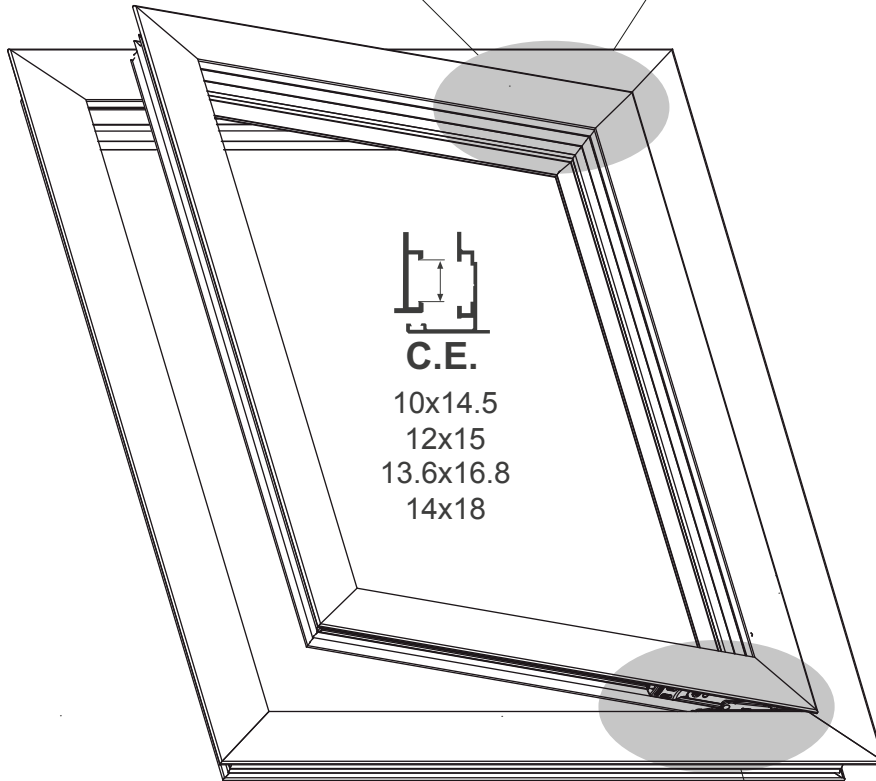
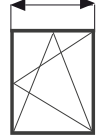
MECHANISMS FOR TILT-AND-TURN



422÷900



700÷1700



**C.E.**

10x14.5  
12x15  
13.6x16.8  
14x18

**RAL**

GÜTEZEICHEN



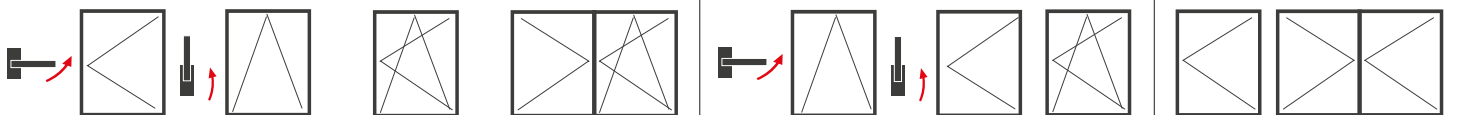
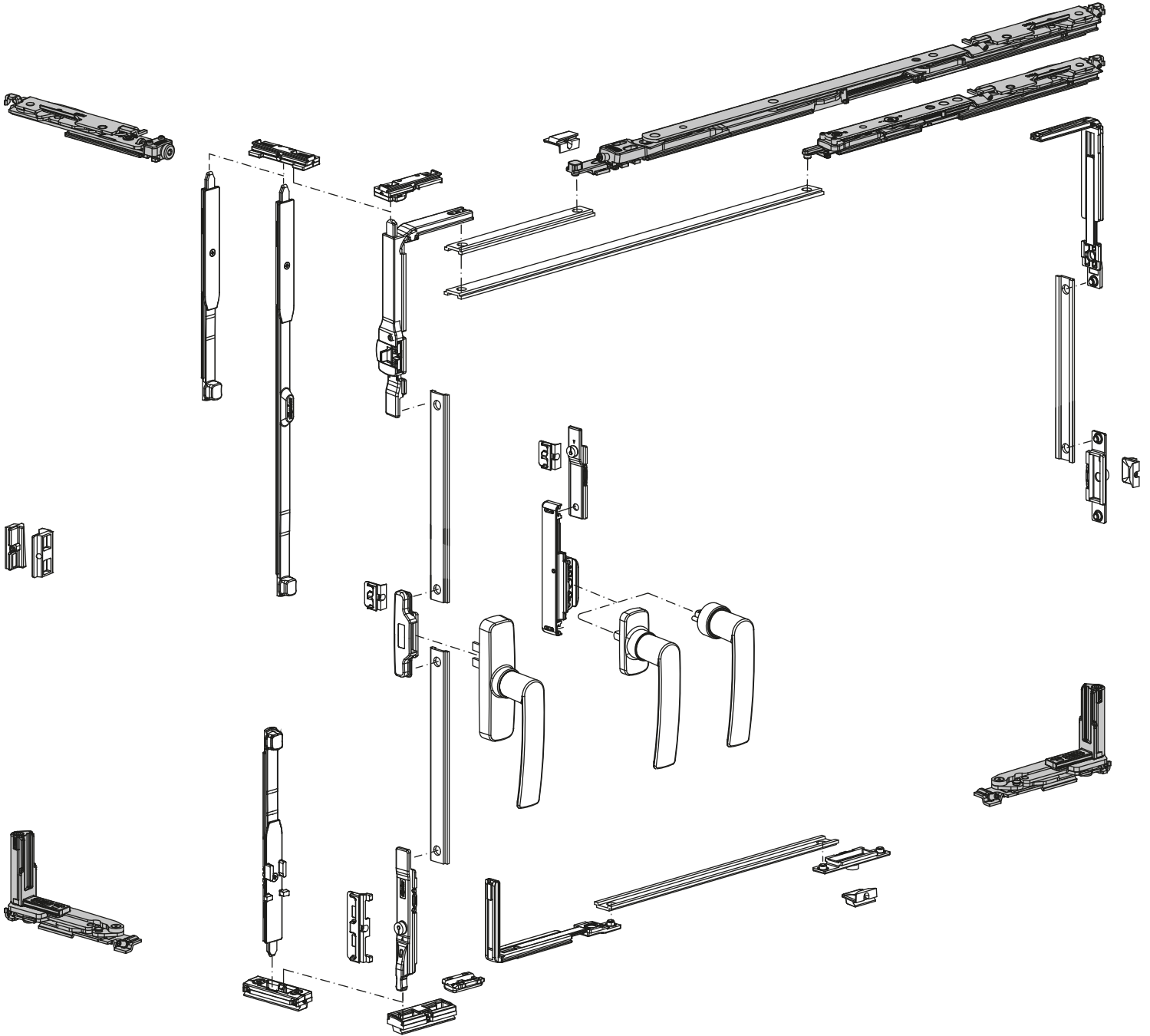
**130 Kg**

180°



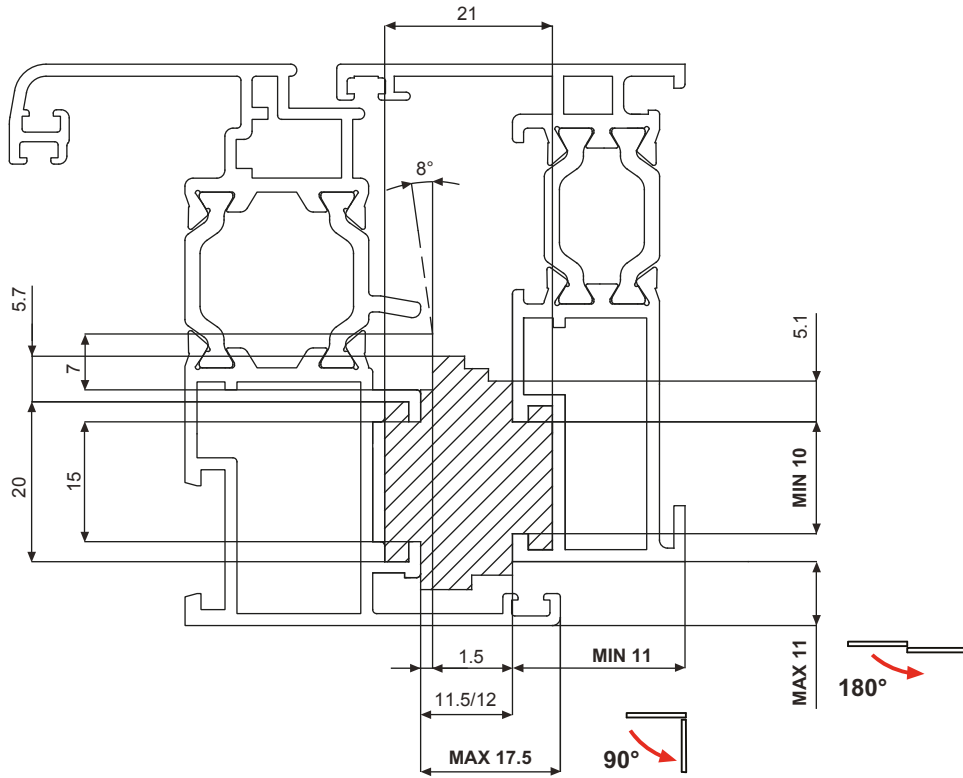
# MAGICUBE 130

MECHANISMS FOR TILT-AND-TURN

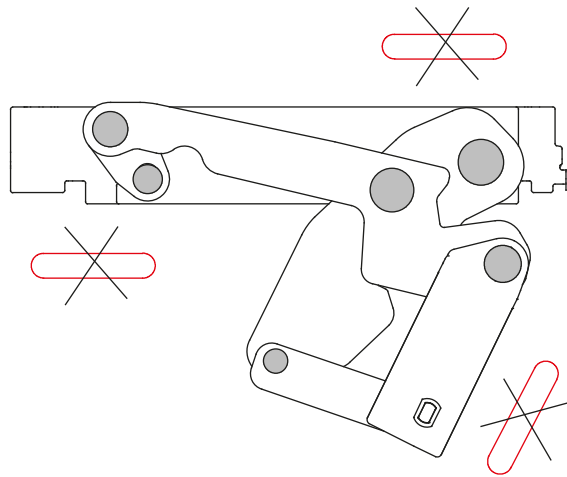


# MAGICUBE 130

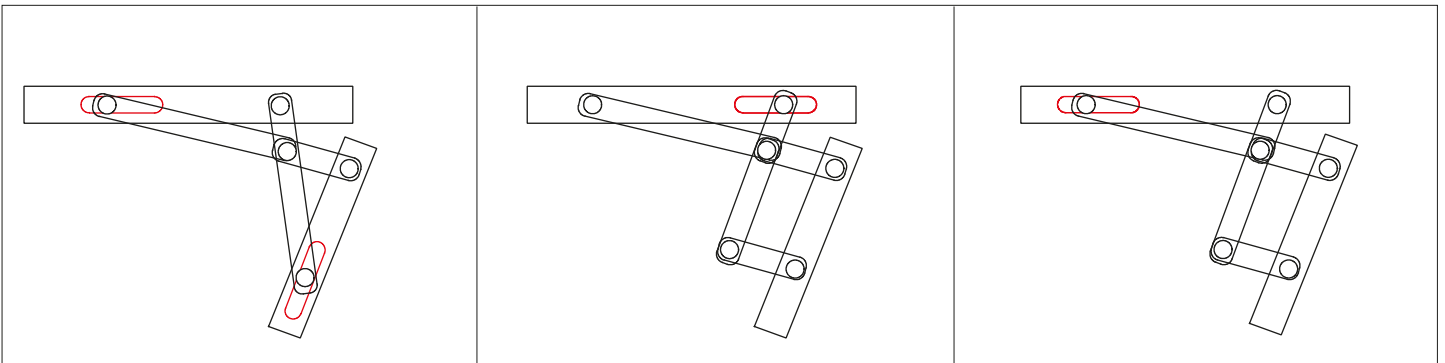
MECHANISMS FOR TILT-AND-TURN

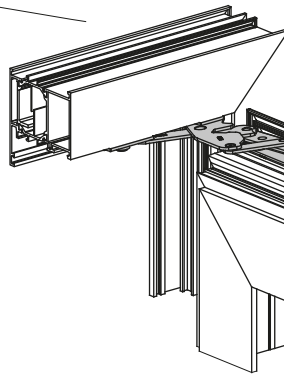
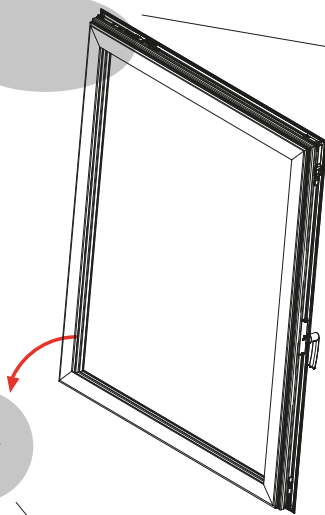
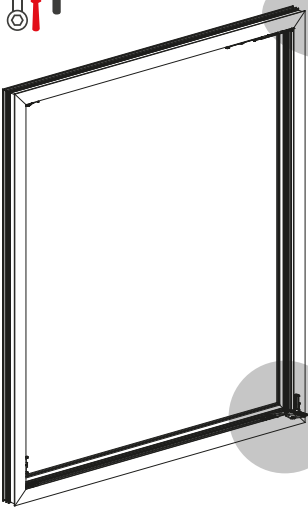
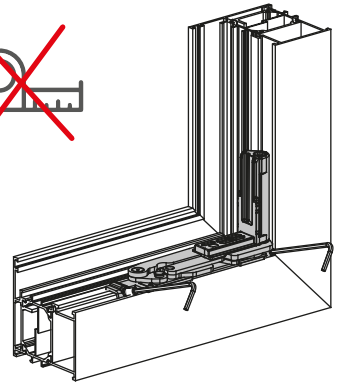
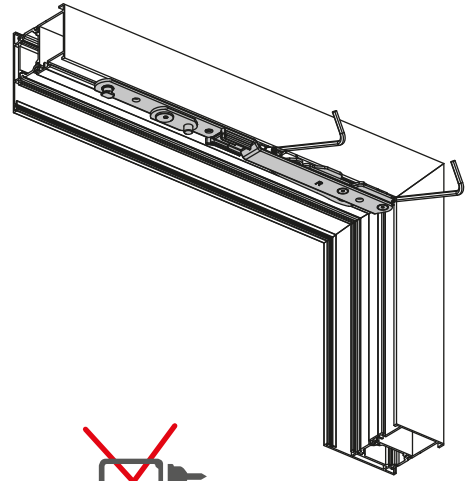
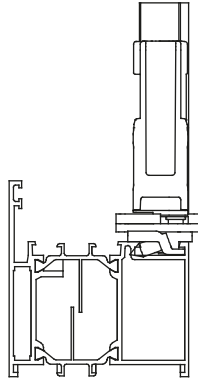
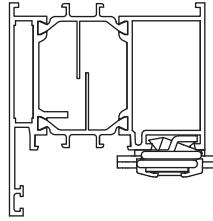
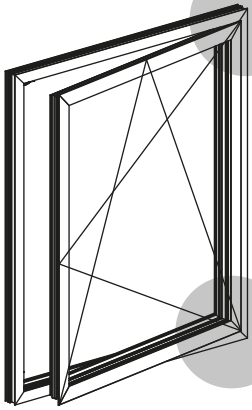


## FAPIM SOLUTION

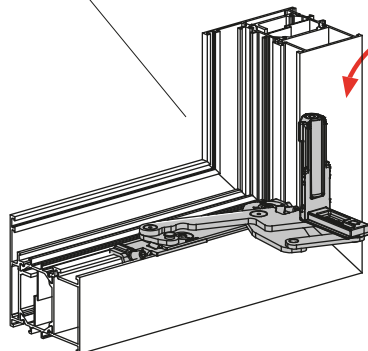
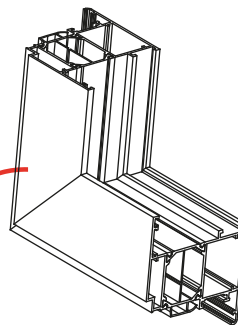


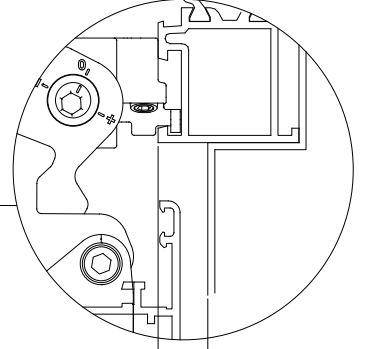
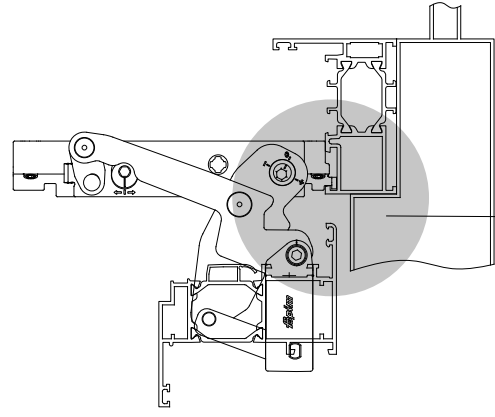
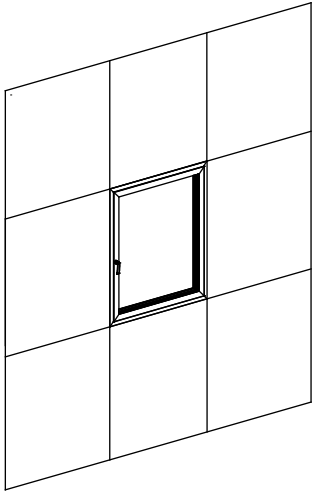
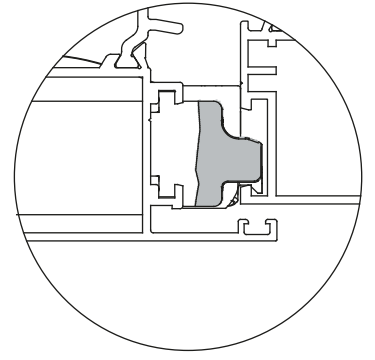
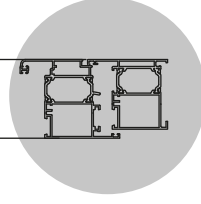
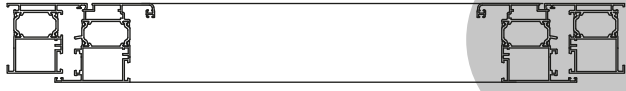
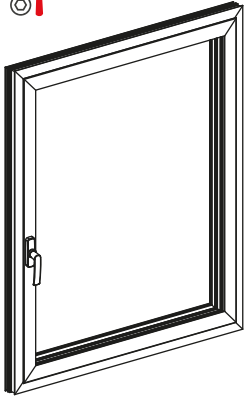
## OTHER SOLUTIONS



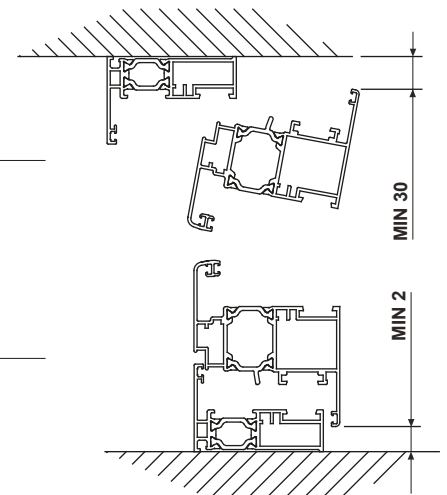
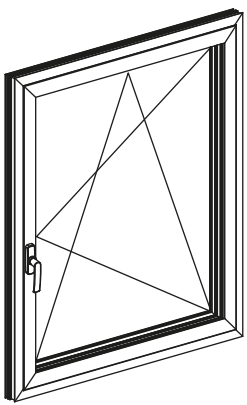


CLACK



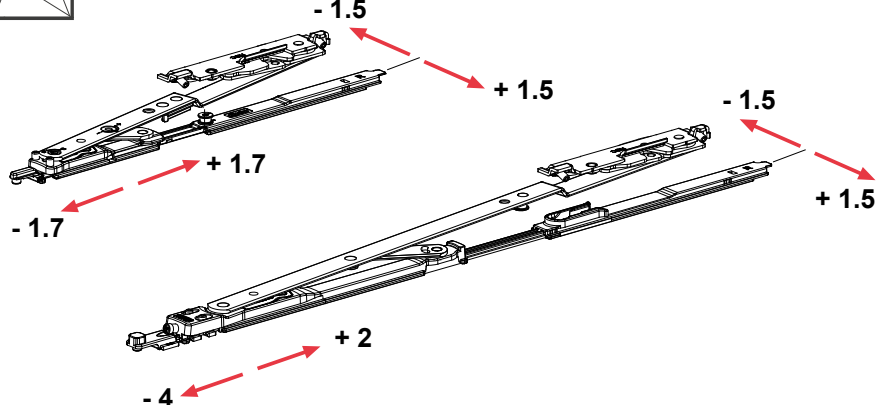
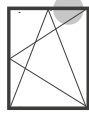
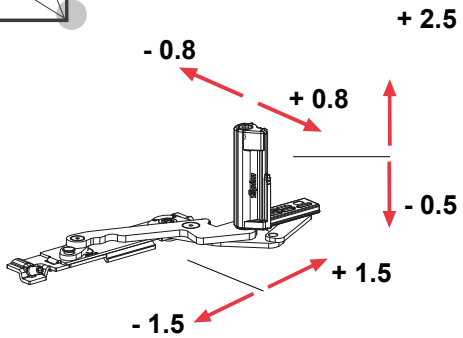
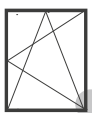


MIN 11



MIN 30

MIN 2



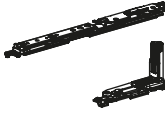
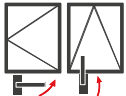

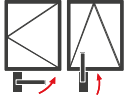

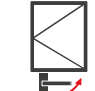
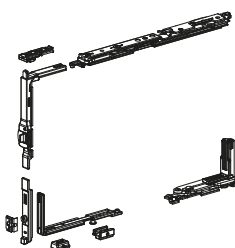
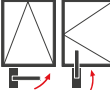
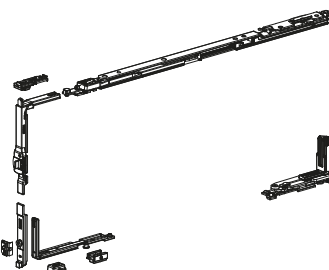
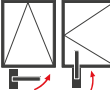
# MAGICUBE 130

MECHANISMS FOR TILT-AND-TURN



10x14.5  
12x15  
13.6x16.8  
14x18



	<p>1210R</p>  <p>1210L</p>	●		●	●			422 ÷ 900	10
	<p>1211R</p>  <p>1211L</p>	●		●	●			700 ÷ 1700	10
	<p>1214R</p>  <p>1214L</p>	●			●	●	●		10
	<p>1265AR</p>  <p>1265AL</p>	●		●				422 ÷ 900	10
	<p>1265BR</p>  <p>1265BL</p>	●		●				700 ÷ 1700	10

# *fapim*<sup>®</sup>

Fapim S.p.A.  
Via delle Cerbaie, 114  
55011 Altopascio (LU) Italy  
T +39 0583 2601 F+39 0583 25291  
www.fapim.it info@fapim.it  
Cod.Fisc. e Part.I.V.A. 02224030466

## **DOMATIC**<sup>®</sup>

DOMATIC  
info@domatic.it www.domatic.it

## *fapim*

### **BENELUX**

Fapim Benelux s.r.l.  
Avenue Rue St. Roch , 17  
7712 Herseaux Belgium  
T +32 56 340548  
T +32 56 341960  
info-fapimbenelux@fapim.it

## *fapim*

### **HISPANIA**

Fapim Hispania s.L.  
C/edison, esq. A. Ingeniero  
Goicoechea 45600  
Parcela, 74  
Talavera De la Reina (Espana)  
T +34 925 828357  
F +34 925 841148  
administración@fapimhispania.com  
pedidos@fapimhispania.com

## *fapim*

### **POLSKA**

Fapim Polska sp. z o.o.  
ul.Wilcza 1,Stupno  
05-250 Radzymin  
NIP : 536-16-29-437  
T +48 227813797  
F +48 227811022  
Gsm +48609022972

## *fapim*

### **RUSSIA**

Fapim RU llc  
Kaluzhskaya Region  
Province Borovskiy, 99km.  
main way "Ukraina", building 4A  
T +7 48439 97207  
info@fapimru.ru

## *fapim*<sup>®</sup>

### **ARGENTINA**

Fapim Argentina S.A.  
CUIT: 30-71206299-8  
Calle Gral Alvear N° 411 - 1°  
Piso of 1 (B1640EWC) Martinez  
Pdo. de San Isidro  
Buenos Aires - Argentina  
T (+54) (11) 4897-0062  
y Líneas Rotativas

